

INSTALLATION INSTRUCTIONS FOR WR30X10093

Ice Maker

WARNING! Electrical Shock Hazard

To avoid risk of electrical shock, personal injury or death; disconnect electrical power before servicing.



Before you begin:

Read these instructions completely and carefully. Wait 5 minutes after the power has been disconnected before beginning the installation procedure.

Remove items from the freezer to safely allow access for the removal of the existing ice maker and the installation of the new ice maker.

Tools needed:

- Phillips head screwdriver
- Flatblade screwdriver
- 1/4" Hex head driver

For Metal Interior Lined Side-by-side Refrigerators ONLY

1. Remove the ice bucket and chiller shelf (if applicable). See Figure 1 & 2.

FIG. 1
Non-Dispenser
Side-by-side Bucket

Ice Bucket

Mounting Tabs

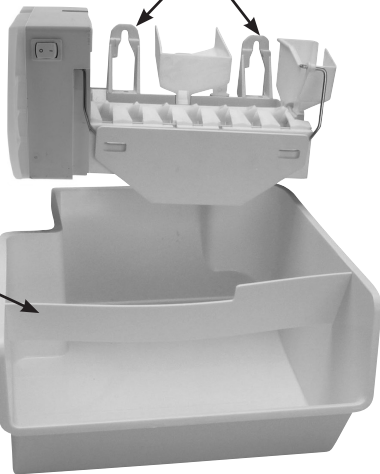


FIG. 2
Dispenser
Side-by-side Bucket

Chiller Shelf

Ice Bucket



2. Remove the existing ice maker.
The ice maker will be attached to the ice maker bracket with a Phillips head or Hex head screws. See Figure 3.

For side-by-side refrigerator with no through the door ice dispenser

- Using the appropriate screwdriver, loosen the 2 mounting screws until the screw heads extend about 1/2" (13mm) from the ice maker bracket. *NOTE: Do not completely remove the screws.*
- Slide the ice maker upwards so that the screws are in the wide part of the mounting tab. Pull the ice maker away from the ice maker bracket. See Figure 1.
- Unplug the ice maker from the socket located on the rear wall of the freezer.

FIG. 3



For side-by-side refrigerator with a through the door ice dispenser

- Unscrew front screw, slide out ice maker by pulling towards you from side wall. See Figure 4.
- To unplug the ice maker, locate the restraints on each side of the plug. Unclip the restraints by pulling outward. See Figure 4.

Unscrew front screw, slide out ice maker by pulling towards you from side wall

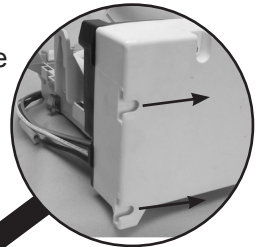
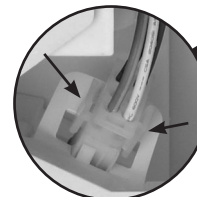


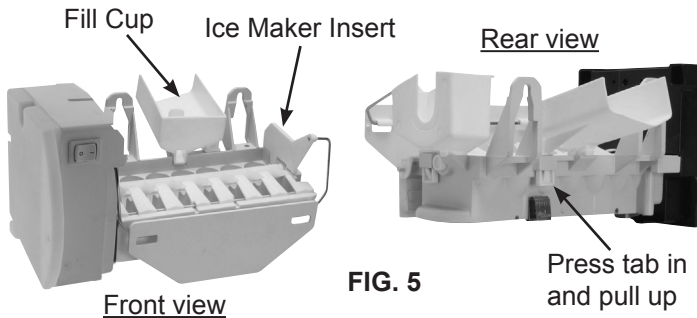
FIG. 4

Unclip restraints by pinching the sides with your hand



3. Remove the fill cup and ice maker insert.

- Remove the fill cup and ice maker insert from the old ice maker. See Figure 5.
- Discard the old ice maker.



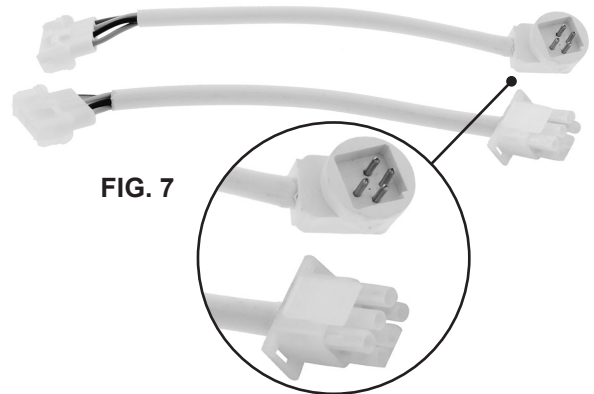
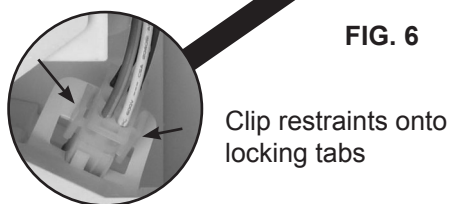
4. Install fill cup and ice maker insert into new ice maker.

- If you received a NEW fill cup with your ice maker, install the fill cup now.
- If you did not receive a new fill cup, reinstall the fill cup from the old ice maker.
- Install the ice maker insert into the new ice maker (if needed).

5. Plug in the ice maker. See Figure 6.

Choose the ice maker wiring harness that matches the old ice maker. Install the harness into the new ice maker. See Figure 7.

Holding the ice maker in place, insert the ice maker power cord plug into the socket, making sure that the prongs and holes are matched. Press the plug firmly into the socket. Lock the plug in place by clipping the restraints onto each side of the plug. Make sure the restraints click into place.



NOTE: The power cord SHOULD NOT be placed in the clip on the back of the ice maker.

6. Mount the ice maker.

For side-by-side refrigerator with no through the door ice dispenser

- Lift the ice maker up and hang it on the ice maker bracket. Make sure the fill tube goes into the fill cup opening. Secure the ice maker to the bracket with the two screws and install.

For side-by-side refrigerator with a through the door ice dispenser

- Slide ice maker onto screws on side wall, secure ice maker with front screw.

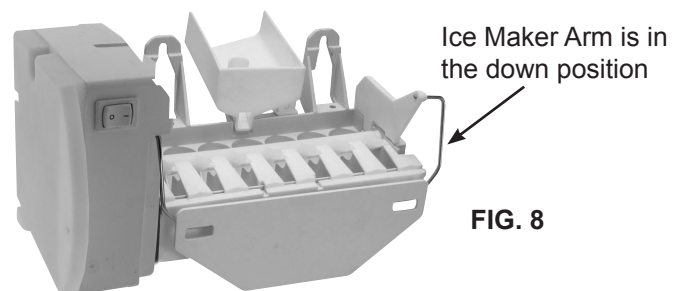
NOTE: It is critical that the fill tube is positioned into the fill cup opening.

Make sure:

- The power cord is still firmly in the socket.
- The fill tube extends into the fill cup opening at the back of the ice maker.
- The ice maker is secured to the bracket.
- The ice maker is level side to side and front to back.

7. Complete the installation

- Reconnect power to the refrigerator.
- Make sure the ice maker arm is in the down position in order to make ice. Figure 8.
- Make sure that the ice maker power is currently plugged in.



- Turn ice maker switch on (I = on with light, O = off)
- Replace the ice bucket and chiller shelf, if applicable. Return any items that were removed to the freezer.

It may take several hours for the freezer to reach the selected temperature and for ice production to begin.

For Plastic Interior Lined Side-by-side Refrigerators ONLY

1. Remove the ice bucket. See Figure 2.
2. Remove the existing ice maker. The ice maker will be attached to the ice maker bracket with Phillips head or Hex head screws. See Figure 3.
 - Using the appropriate screwdriver, loosen and remove the 2 mounting screws. *NOTE: Remove screws completely.*

If screws fall into the ice maker, they can be retrieved when ice maker has been removed.

 - Slide the ice maker up and out from the bracket.
 - To unplug ice maker, locate restraints on each side of plug. Unclip the restraints by pulling outward. See Figure 4.
 - Unplug ice maker from socket located on the top of auger motor housing.
3. Remove fill cup and ice maker insert. See Figure 5.
 - Discard the old ice maker.
4. Install fill cup and ice maker insert into new ice maker.
 - If you received a NEW fill cup with your ice maker, install the fill cup now.
 - If you did not receive a new fill cup, reinstall the fill cup from the old ice maker.
 - Install the ice maker insert into the new ice maker (if needed).
5. Mount the ice maker.
 - Lift the ice maker up and hang it on the ice maker bracket. Make sure the fill tube goes into the fill cup opening. Secure the ice maker to the bracket with the two screws and install.

NOTE: It is critical that the fill tube is positioned into the fill cup opening.

Make sure:

- The fill tube extends into the fill cup opening at the back of the ice maker.
 - The ice maker is secured to the bracket.
 - The ice maker is level side to side and front to back.
6. Plug in the ice maker. See Figure 6.

Choose the ice maker wiring harness that matches the old ice maker. Install the harness into the new ice maker. See Figure 7.

Insert the ice maker power cord plug into the socket, making sure that the prongs and holes are matched. Press the plug firmly into the socket. Lock the plug in place by clipping the restraints onto each side of the plug. Make sure the restraints click into place and the power cord is firmly in the socket.

NOTE: The power cord SHOULD be placed in the clip on the back of the ice maker.

7. Complete the installation
 - Reconnect power to the refrigerator.
 - Make sure the ice maker arm is in the down position in order to make ice. See Figure 8.
 - Make sure that the ice maker power is currently plugged in.
 - Replace the ice bucket and chiller shelf, if applicable. Return any items that were removed to the freezer.

It may take several hours for the freezer to reach the selected temperature and for ice production to begin.

For Top Freezer Refrigerators ONLY

1. Remove the existing ice maker. The ice maker will be attached to the side wall of the freezer with a Phillips head or Hex head screws. See Figure 3.
 - Using the appropriate screwdriver, loosen the mounting screws until the screw heads extend about 1/2" (13mm) from the freezer wall.

NOTE: Do not completely remove the screws.

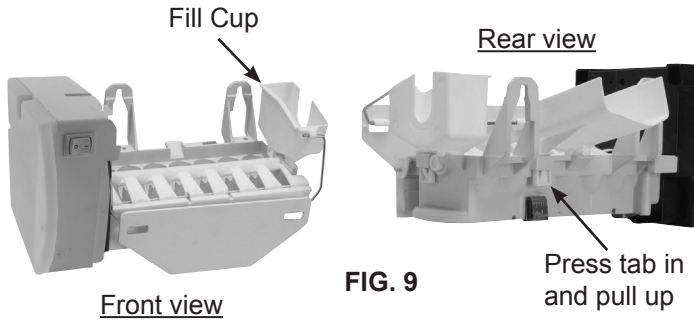
 - Slide the ice maker upwards so that the screws are in the wide part of the mounting tab. Pull the ice maker away from the side wall of the freezer. See Figure 1.
 - To unplug the ice maker, locate the restraints on each side of the plug. Unclip the restraints by pulling outward. See Figure 4.

- Unplug the ice maker from the socket located on the back or side wall of the freezer.

- Discard old ice maker.

2. Install the new ice maker.

- Assemble the fill cup to the ice maker. See Figure 9



- Choose the ice maker wiring harness that matches the old ice maker. Install the harness into the new ice maker. See Figure 7.
- Plug the ice maker power cord into the socket. Press firmly into place. Lock the plug in place by clipping the restraints onto each side of the plug. See Figure 6.

*NOTE: If the plug is located on the back wall of the freezer, the power cord **SHOULD NOT** be placed in the clip on the back of the ice maker.*

- Position the ice maker mounting tabs over the mounting screws.

NOTE: It is critical that the fill tube is positioned in the fill cup opening.

- Retighten the mounting screws. Make certain that the ice maker is level.

3. Complete the installation.

- Reconnect power to the refrigerator.
- Make sure the ice maker arm is in the down position in order to make ice. See Figure 8.
- Make sure that the ice maker power is currently plugged in.
- Replace the ice bucket and chiller shelf, if applicable. Return any items that were removed to the freezer.

It may take several hours for the freezer to reach the selected temperature and for ice production to begin.